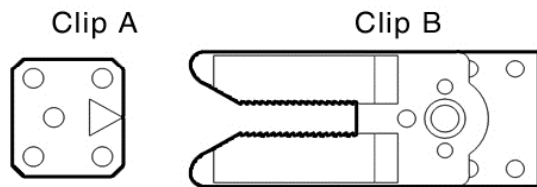


Self Assembly Instructions

Furniture
Village

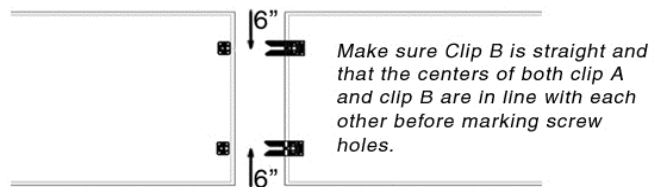
How to clip your furniture together

Your furniture will arrive with the following clip system and wood screws ready for fitting. These instructions show how to fix the clips to each unit of furniture, and how to connect the units together securely.

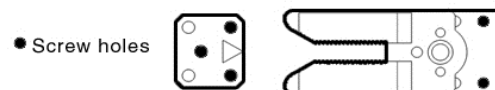


Line up the furniture units on their back and align the clips, making sure the screws are entering the frame not just the under lining, and then mark screw holes.

We recommend a pair of clips to be aligned 6 inches from the front and the other pair 6 inches from the back of the units (see below).

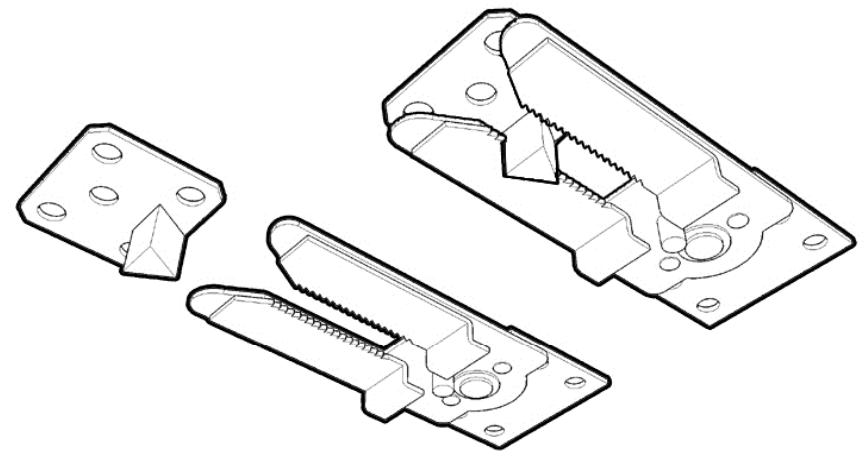


Be sure to pre-drill starter holes for the screws so you do not inadvertently split the frame. Assemble and screw in the clips into the frame of each respective unit.



Now the clips are fitted, return each unit of furniture to its normal upright position.

Then make sure clip B is in line with clip A and push the two units together. you will hear a clicking sound if the clips are connecting correctly. Continue to push the units tightly together.

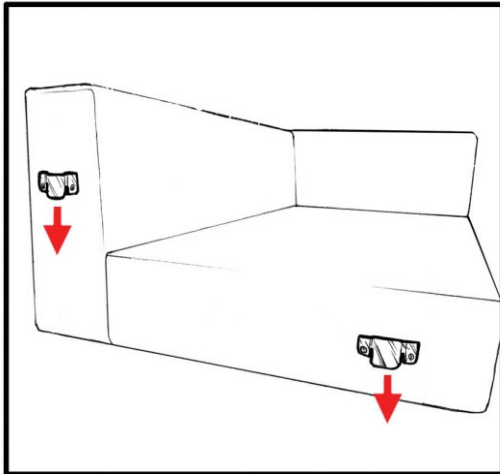


To release, lift the unit with clip A attached up and away from the adjoining unit.

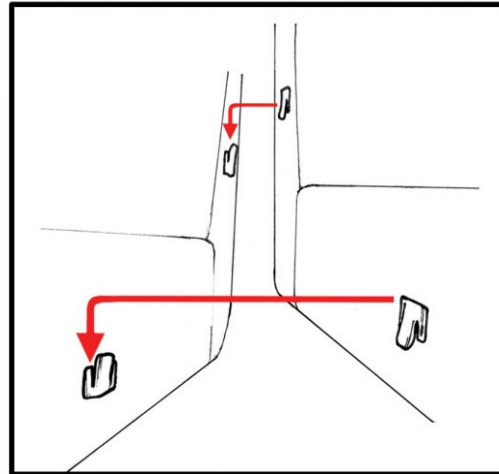
ASHLEY | MANOR
upholstery

How to clip your furniture together

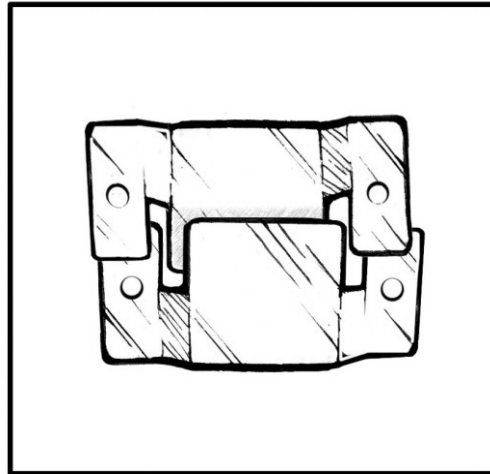
Furniture that requires clipping together, will already have the clips fixed in place on both parts of the sofa. Follow the simple instructions below to align and clip your furniture together.



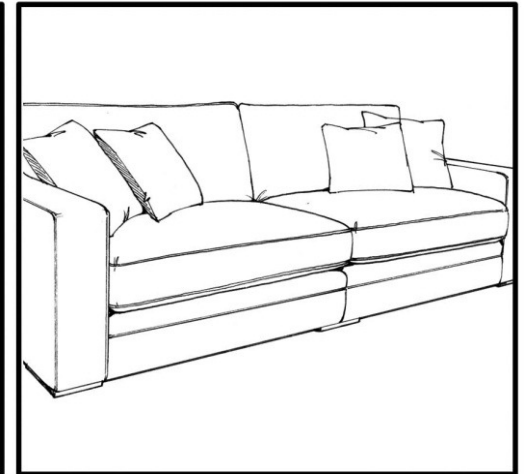
1) Remove all seats, backs and pillows, and identify the side with the clips that overhang downwards. This will be the side you need to lift.



2) Align the pieces together, matching up the clips. Then lift the downward clip side and push down onto the standing piece.



3) Both pairs of clips should lock as shown above. Try gently pulling the sides apart to check that both pairs have clipped together. Then replace the seats, backs and pillows etc.



4) Depending on the piece of furniture you have clipped, you may now need to fix centre feet, or repeat the steps 1-3 for additional pieces.