

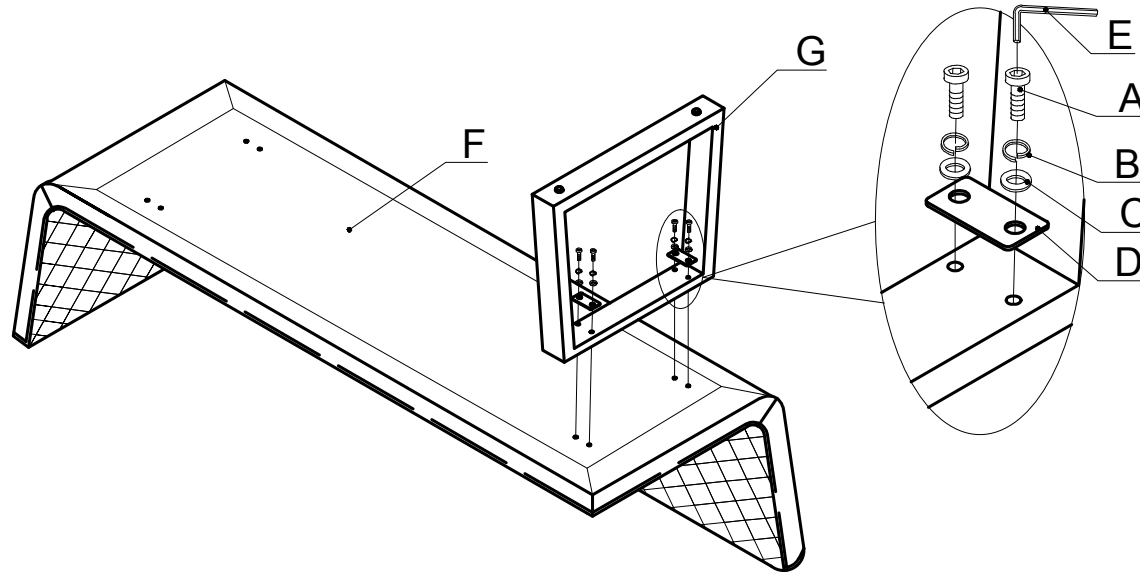
Self Assembly Instructions

Furniture
Village

ASSEMBLY INSTRUCTION -LFH CORNER BENCH

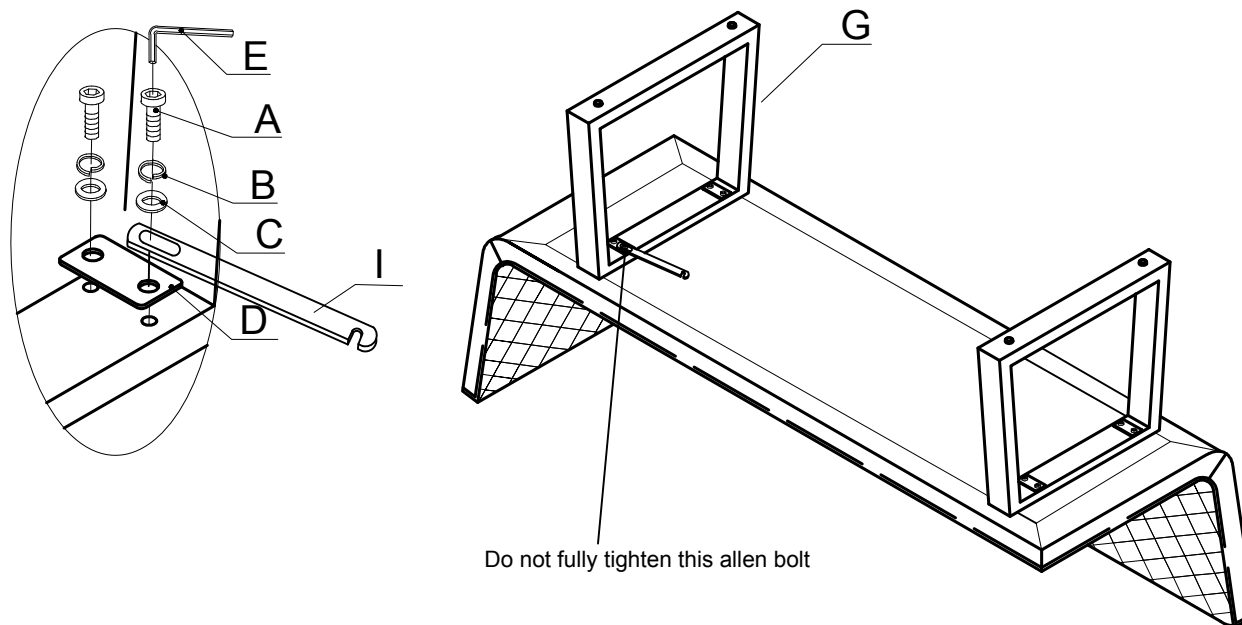
Part List

①



A		Bolt M8x48mm	16 pcs
B		Spring Washer	16 pcs
C		Washer	16 pcs
D		Metal Plate	8 pcs
E		Allen Key	1 pc

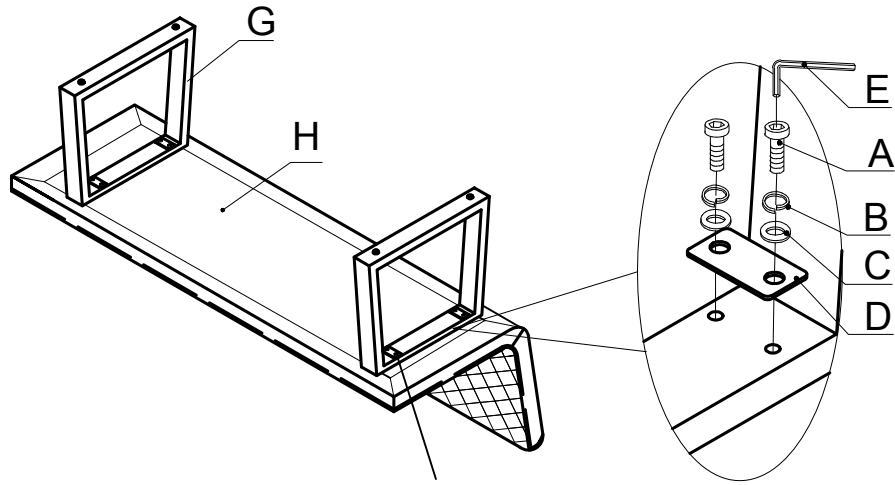
②



F		LFH Corner Bench Seat	1 pc
G		Leg	4 pcs
H		Backrest Bench Seat	1 pc
I		Fixing Strap	1 pc

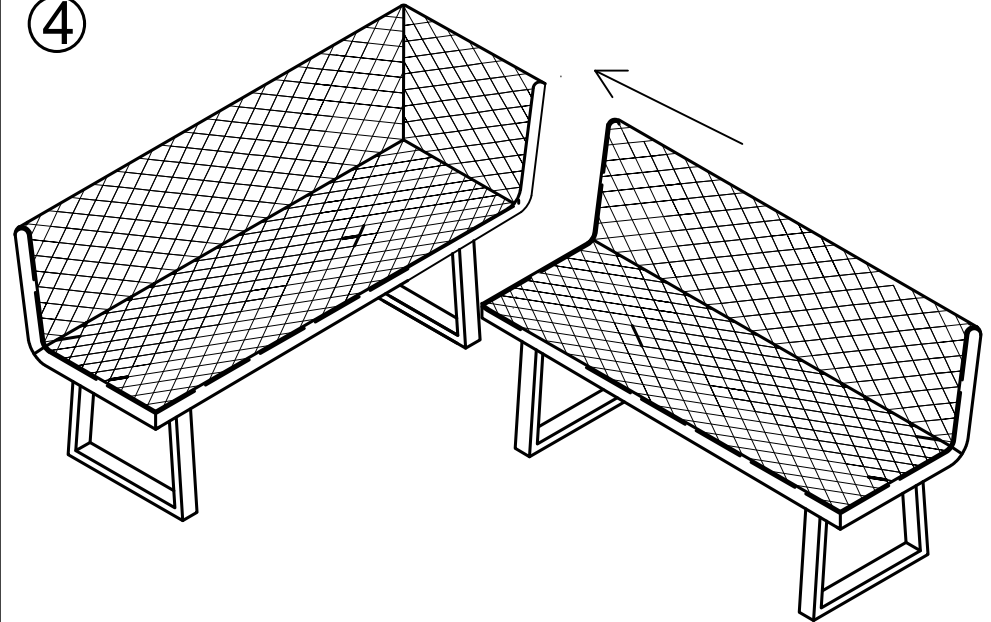
ASSEMBLY INSTRUCTION -LFH CORNER BENCH

③

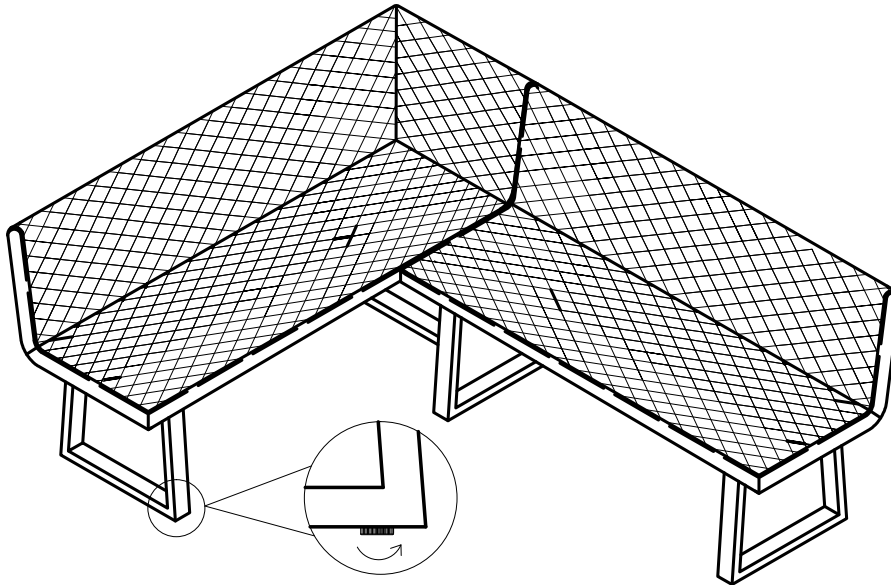


Do not fully tighten this allen bolt

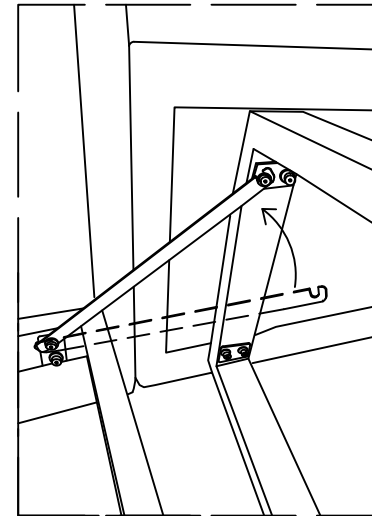
④



⑤



Your furniture is fitted with adjustable feet, if required these can be used to correct any wobbling or alignment issues. Simply rotate the adjustable feet as required to ensure the furniture is stable and aligned correctly.



Connect the corner bench and side bench by using the fixing strap. Tighten all the bolts