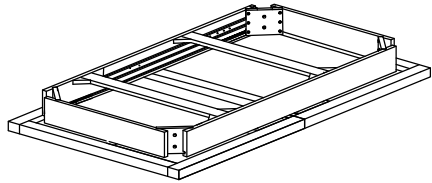


# Self Assembly Instructions

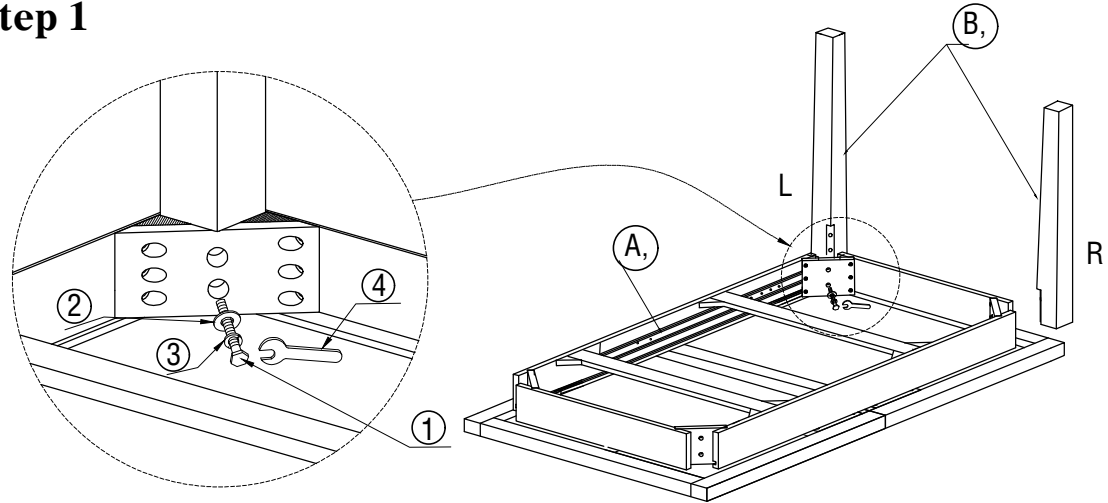
Furniture  
*Village*

## ASSEMBLY INSTRUCTION TABLE / NH210214-WTA-VO

(A.)= 1PC



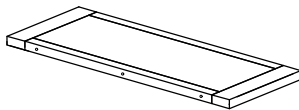
### Step 1



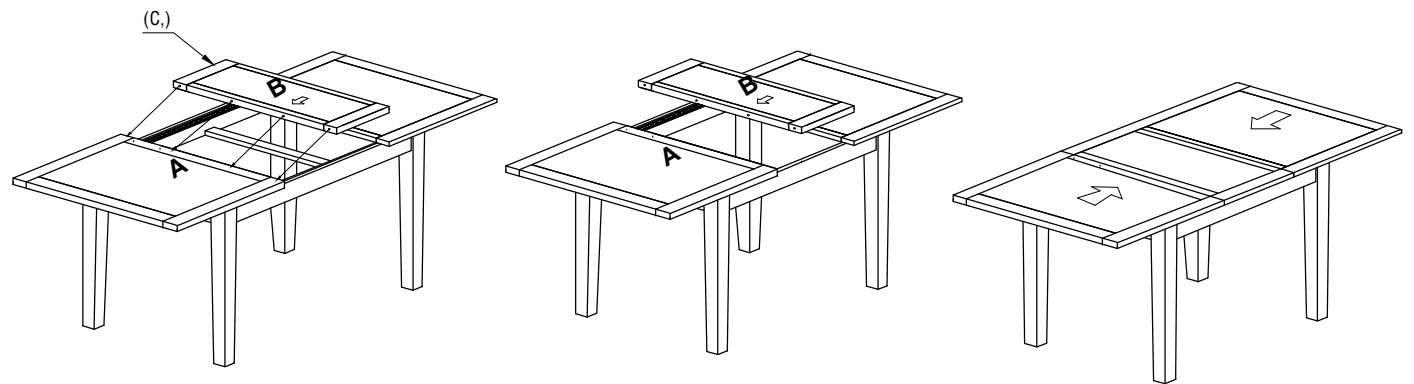
(B.)= 4PCS



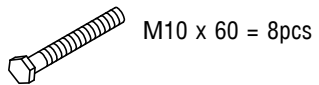
(C.)= 1PC



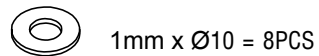
### Step 2



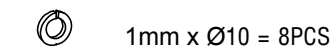
①



②



③



④

